

SARO  TECH



Innovative ideas,
inspired living

Interior

Installation Guide:

Synthetic Marble Sheet - Premium Synthetic Marble
Premium Metal Board - Premium Mirror Board

Tools & Materials



The diagrams and instructions described in this guide are for illustrative purposes only. They are based on our recommendations, and a professional should be consulted prior to installation if anything different from what is shown is required, as this guide is not intended to replace professional advice.

The consumer assumes all risks and responsibilities associated with the construction and use of this product.

Damage to materials during installation is not covered under the warranties of SARO TECH US and/or its subsidiaries, parent companies, related parties, and/or affiliates.



Tape Measure



Metal Carpenter Square



Pencil



Mounting Adhesive



Cutting Tool



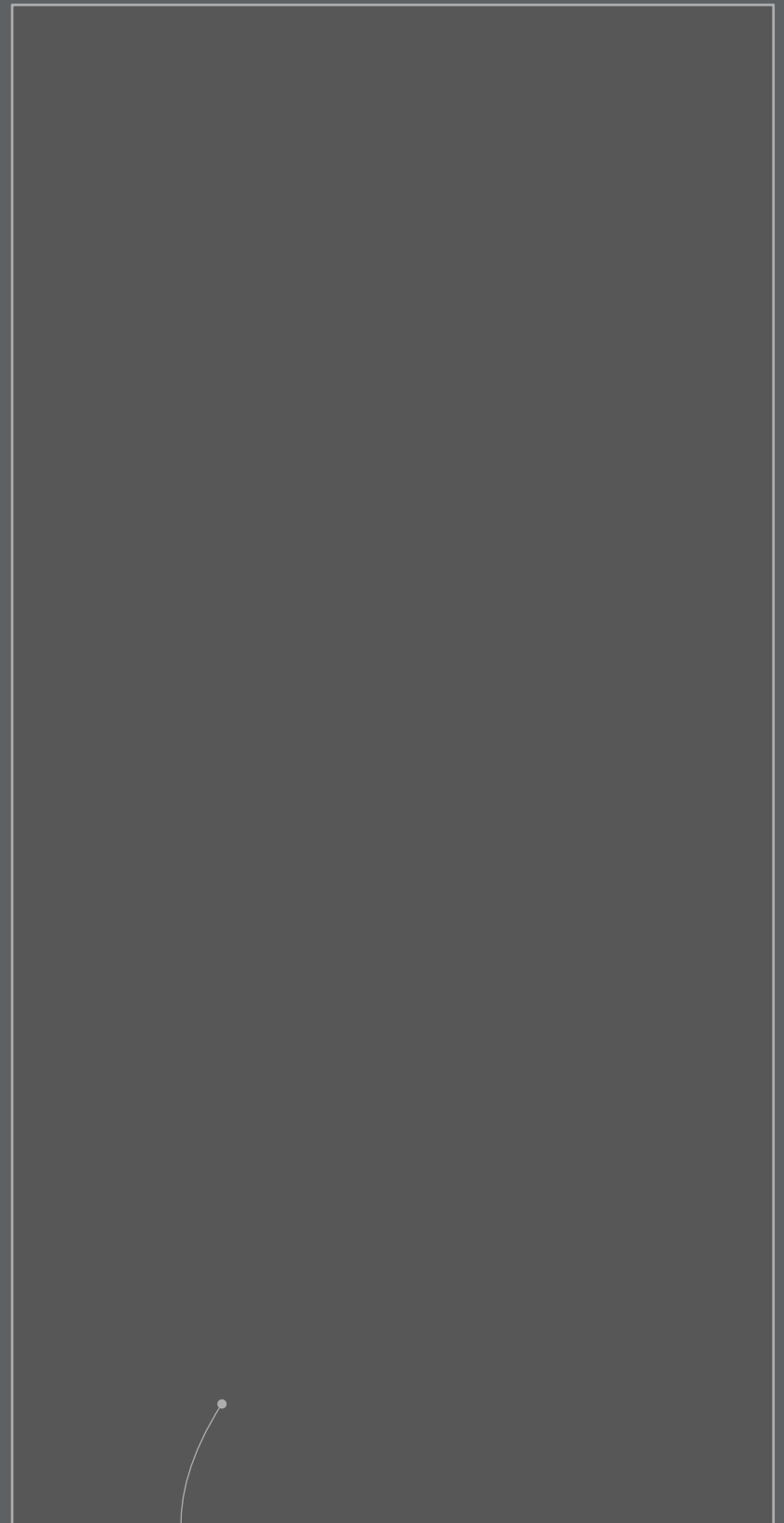
Protective Gloves (Optional)



Cutting Router (Optional)



Heat Gun (Optional)



Synthetic Marble Sheet /
Premium Marble Board /
Premium Metal Board /
Premium Mirror Board

1. MEASURE THE WORK AREA

Use a tape measure or the measuring tool of your choice to measure the height and length of the area where the Marble Sheet or Premium Board will be installed. Based on the square feet, calculate the number of sheets required to cover the area.

Remember that one sheet measuring approximately 4.0 ft x 9.2 ft covers about 36.8 square feet of surface area.

Tools

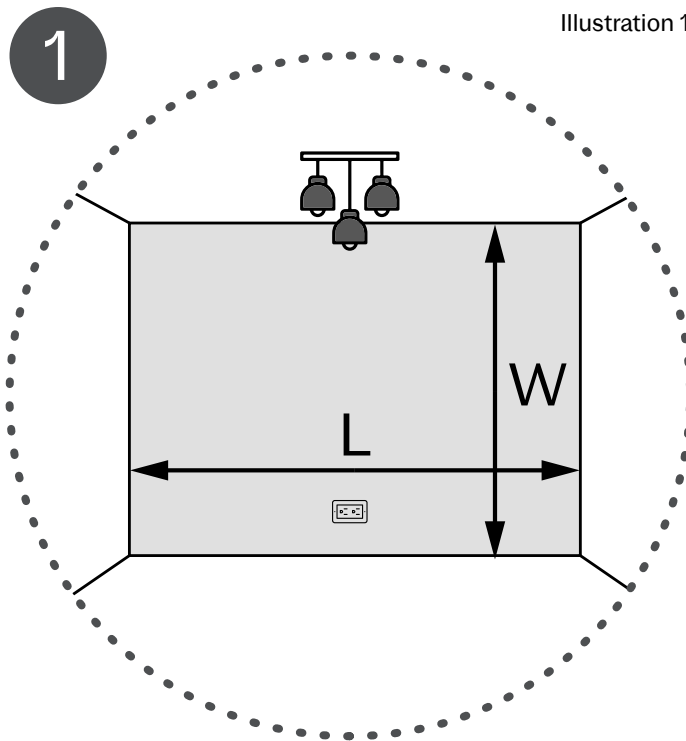


Illustration 2

2. PREPARE WORK AREA

With the help of a cloth, clean the area where the installation will take place and check that it is a flat, leveled, stable surface, free of debris that could hinder the proper installation of the material.

It is not necessary for the surface to be painted; it only needs to be plastered.

IMPORTANT

To prevent accidents during installation, it is recommended that the material be handled by two people.

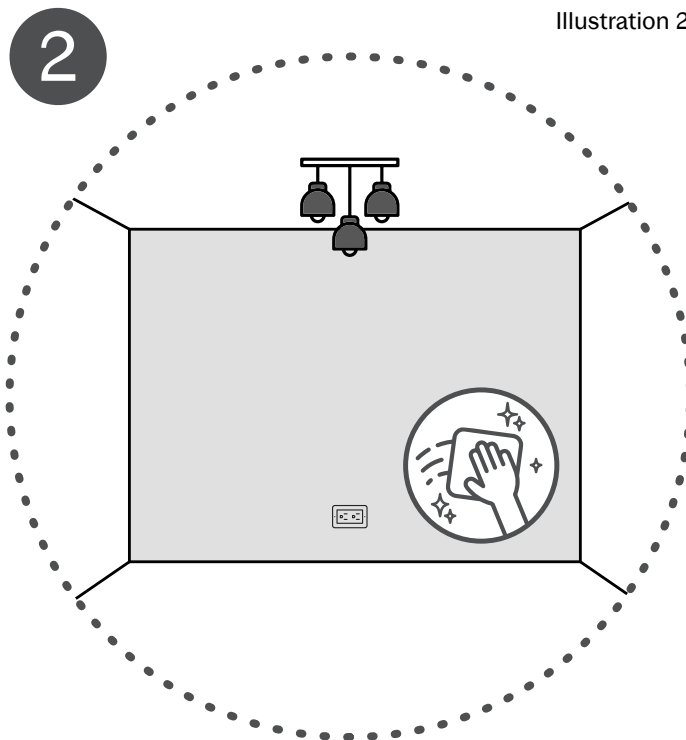


Illustration 3

3. PIECE TRIMMING

Trim the pieces, ensuring proper alignment and a precise fit at all joints.

*If any piece shows misalignment, it can be corrected by making a cut, which will allow the edges to be evened out and ensure a proper fit at the joints.

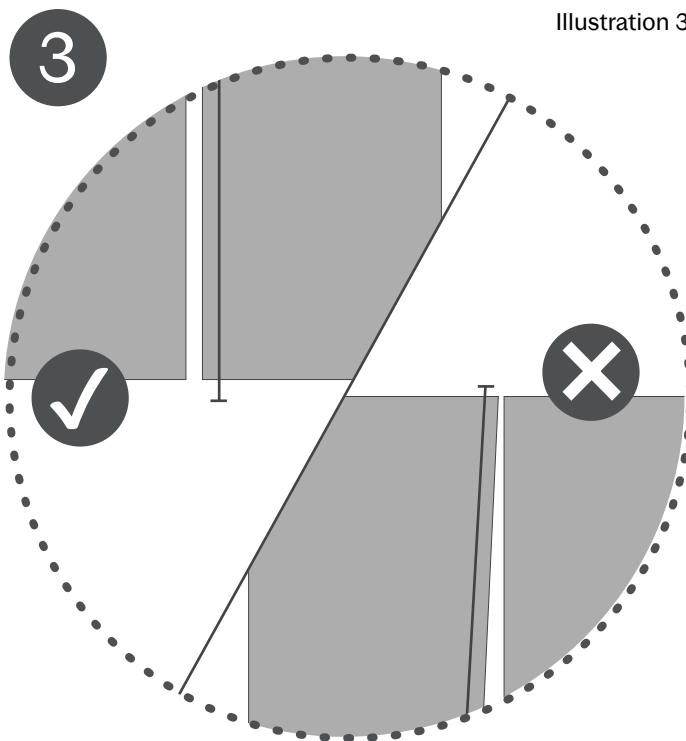


Illustration 4

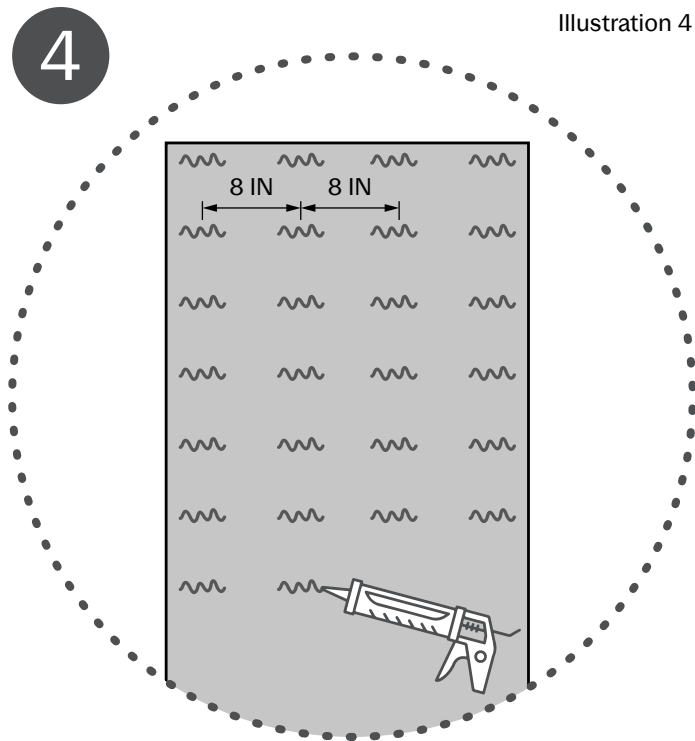


Illustration 5

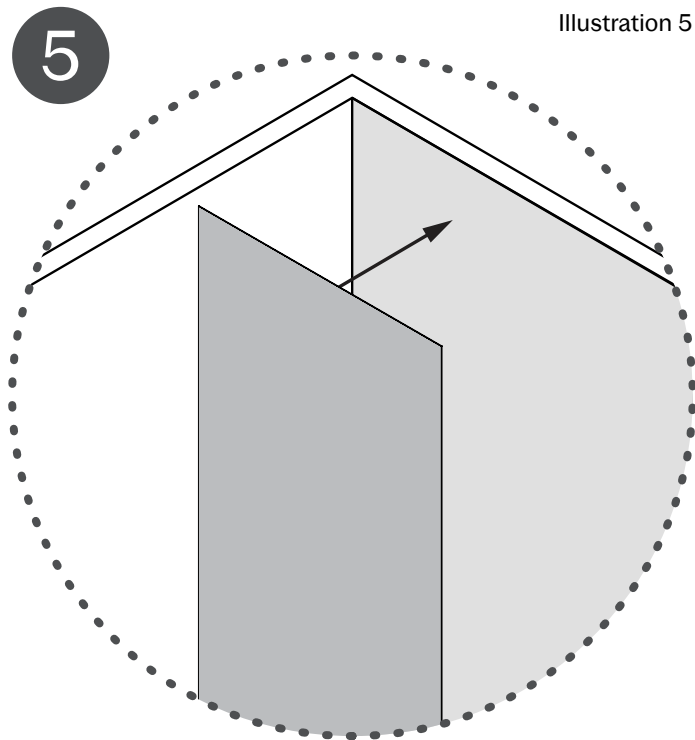
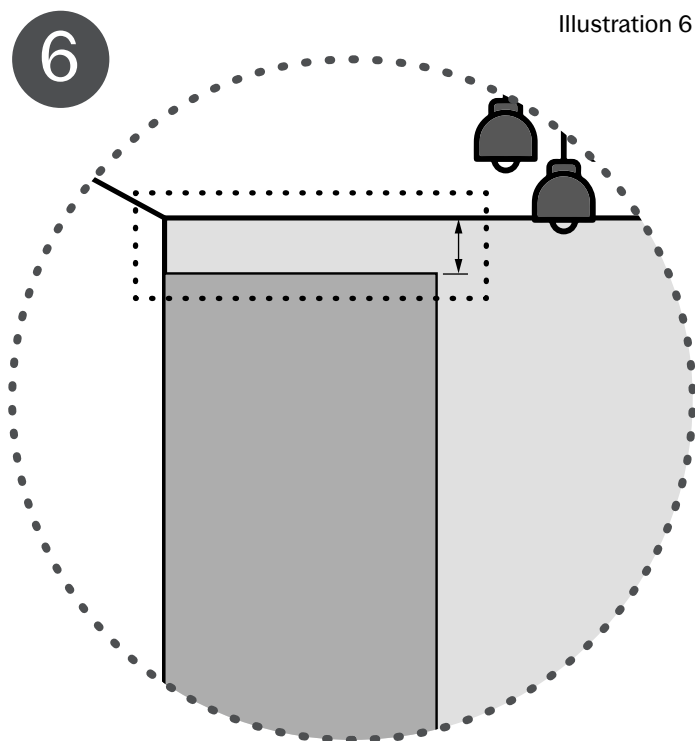


Illustration 6



3. APPLY ADHESIVE

Apply the adhesive to the back of the piece.

It is recommended to apply the adhesive every 8 inches, following the usage instructions specified by the mounting adhesive of your choice (Illustration 3).

Tools



4. SECURE THE PIECE TO THE SURFACE

Once the adhesive has been applied, position the piece in the desired location and press the material firmly against the surface (Illustration 4).

Tools



5. MEASURE AND ADJUST THE MATERIAL

If an extension of the material is required, use a tape measure or the measuring tool of your choice to measure the length of the area that still needs to be covered.

Tools



6. Using a pencil and a square, mark a line to serve as a guide for making the cut (Illustration 6).



7. Make the cut according to the measurements taken (Illustration 7).

You can use a square or metal ruler to help guide the cut.

Recommended Cutting Tools:

- Grinder / Angle grinder with a multipurpose abrasive disc.
- Jigsaw fitted with a “Clean for PMMA’ blade”

Cutting Tools Not Recommended:

- Hand Saw
- Exacto / Cutter

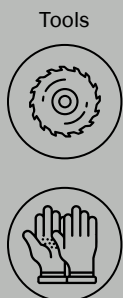


Illustration 7

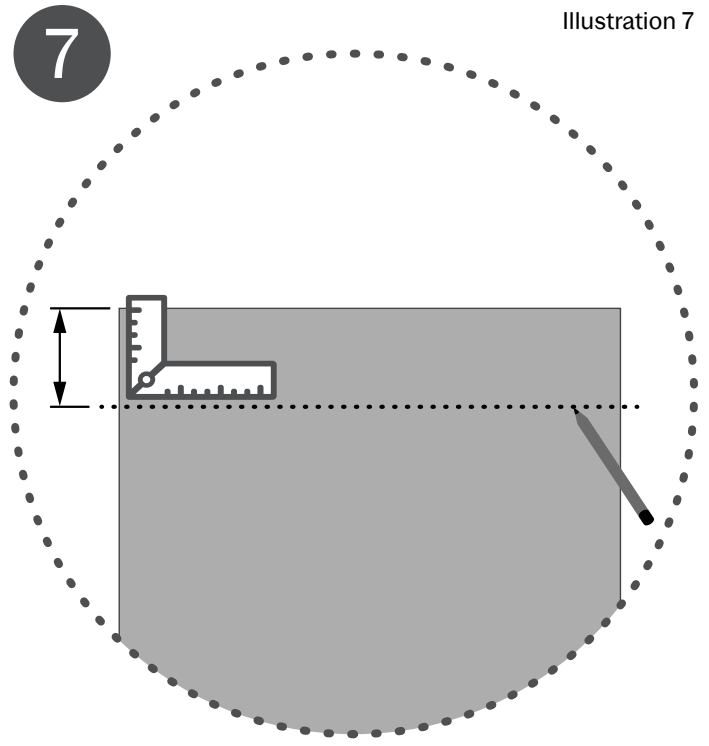
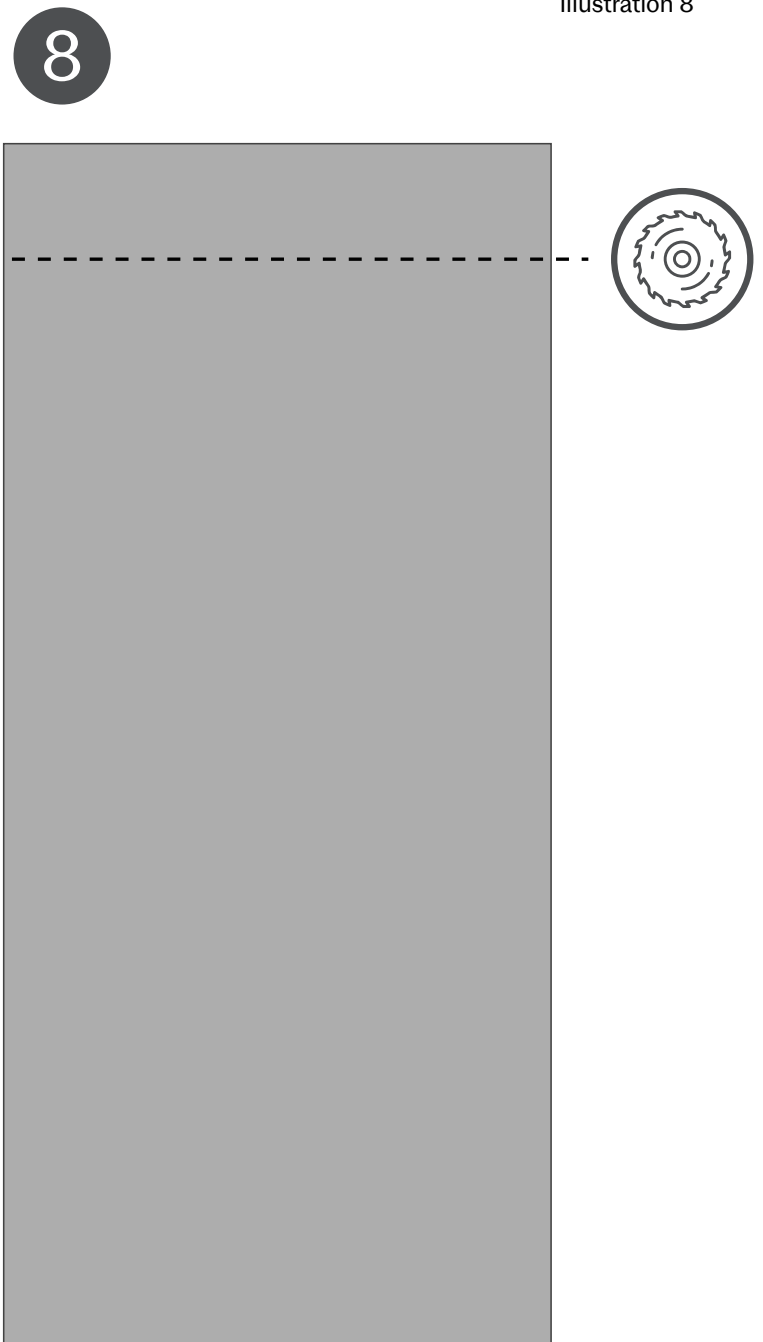
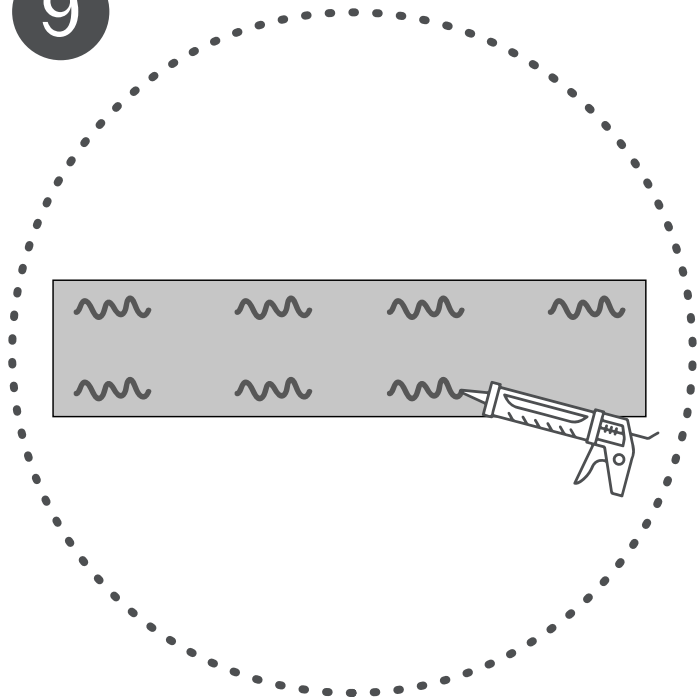


Illustration 8



9

Illustration 9



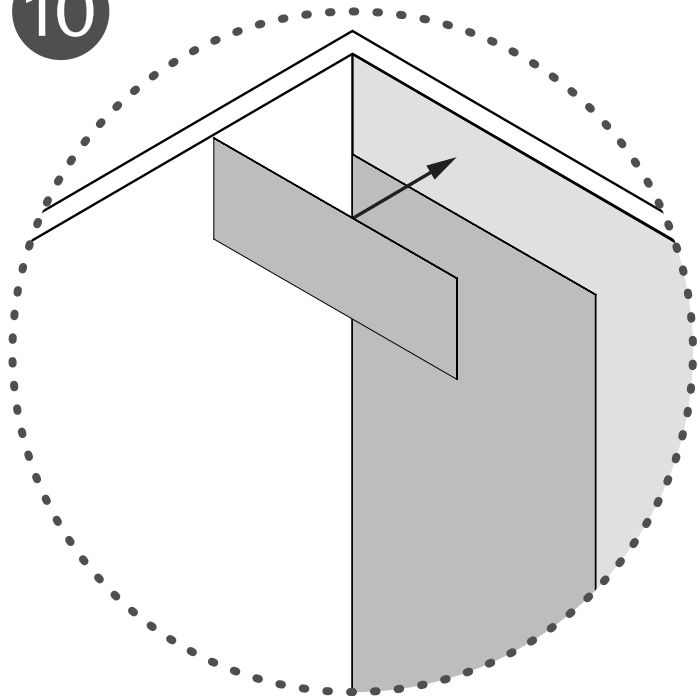
8. Apply the adhesive in the same manner indicated in Step 3.

Tools



10

Illustration 10



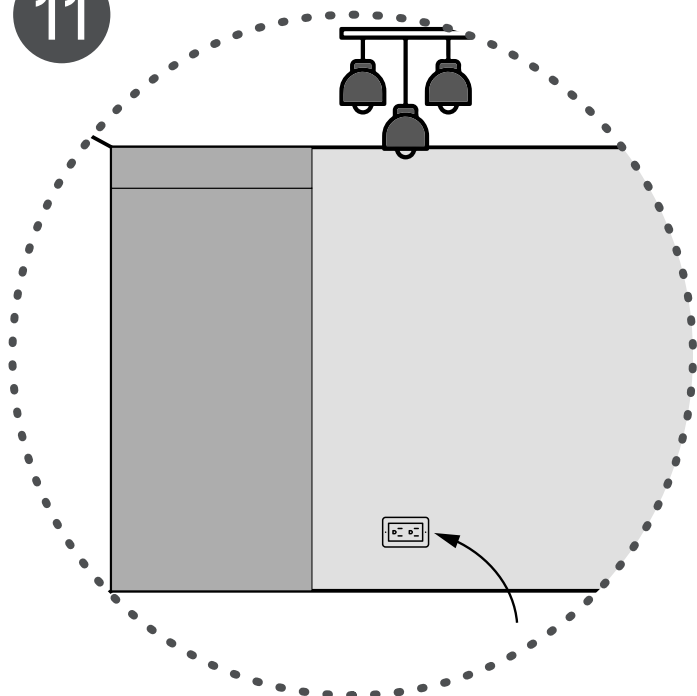
9. Place the piece in the desired location as indicated in Step 4 (Illustration 9).

Tools



11

Illustration 11



If the installation surface has any outlet, switch, or object that obstructs placement of the material, the corresponding cut must be made in the material.

10. With the help of a square or the measuring tool of your choice, measure and mark the area that needs.

Tools



You can use the cutting tools recommended in Step 7 for assistance (Illustrations 12 & 13).

Tools



Illustration 12

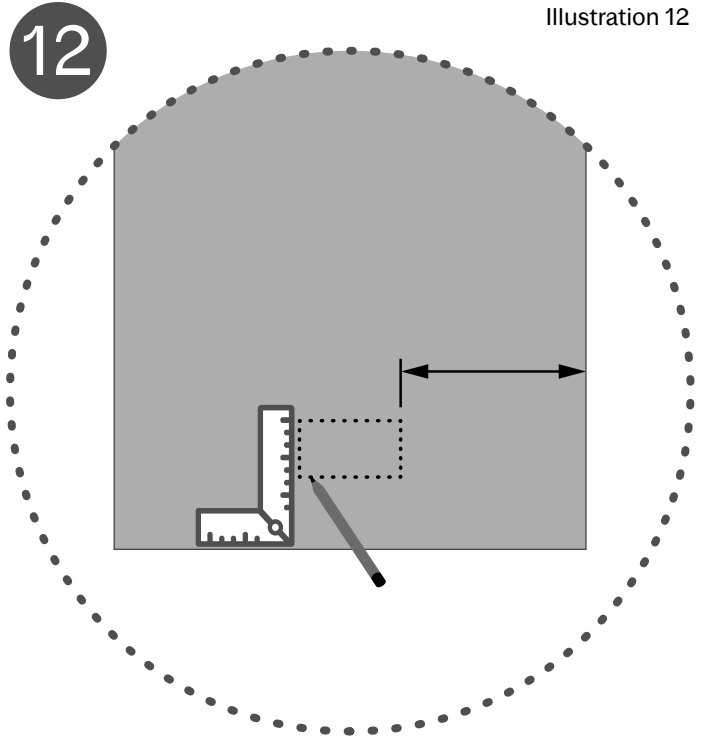


Illustration 13

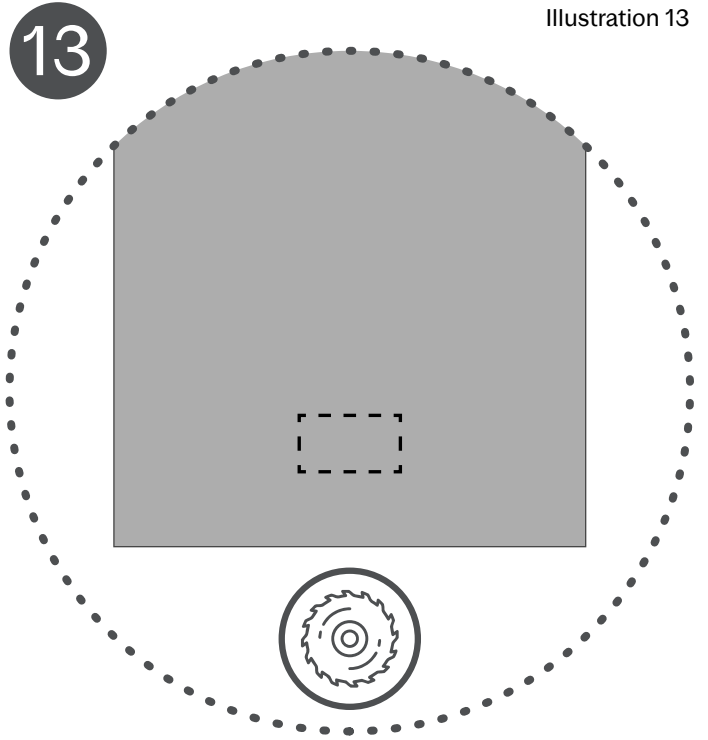
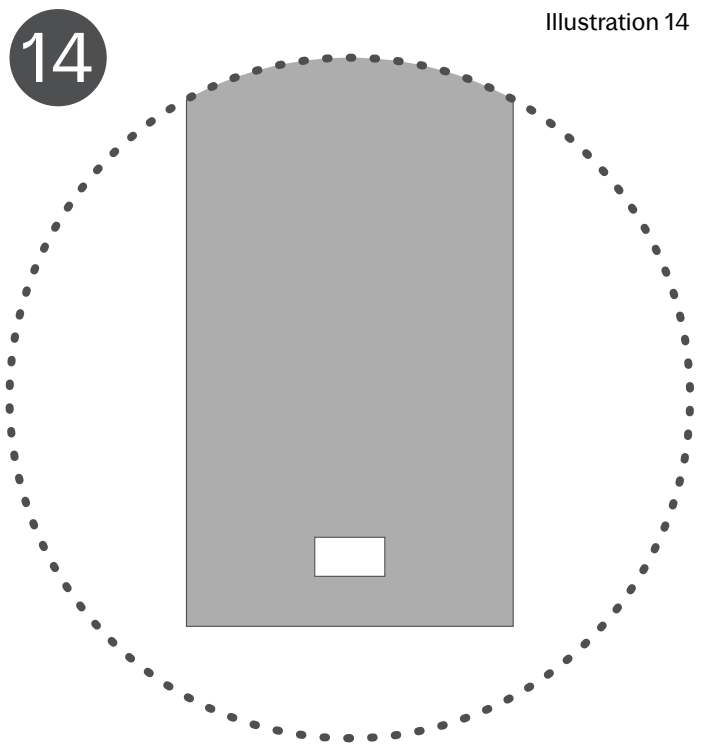
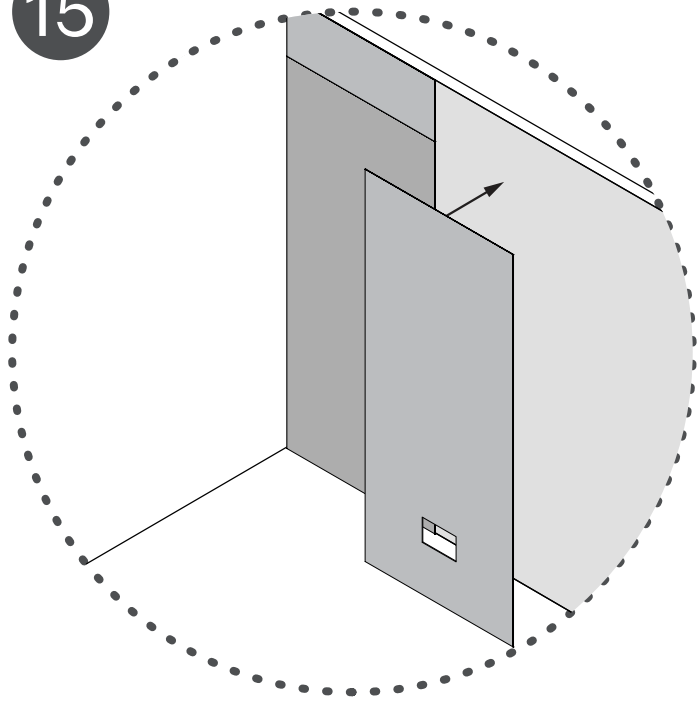


Illustration 14



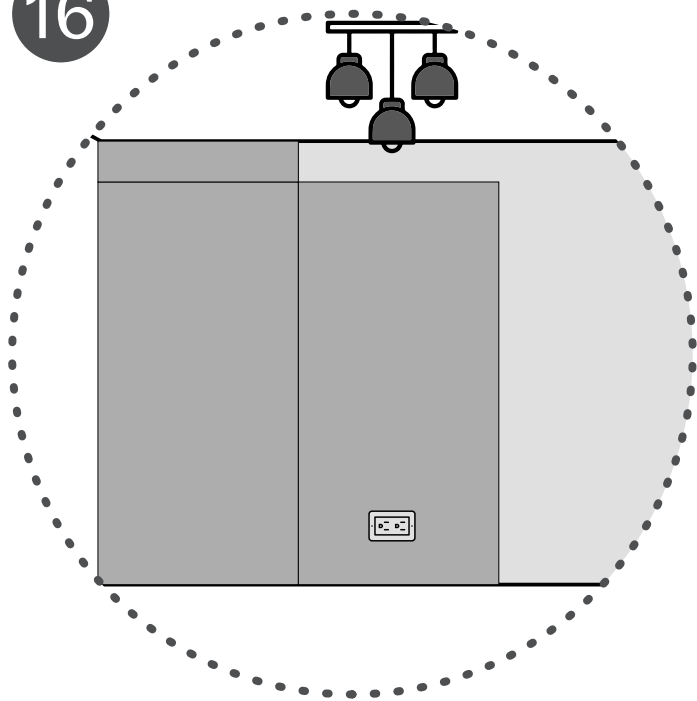
15

Illustration 15



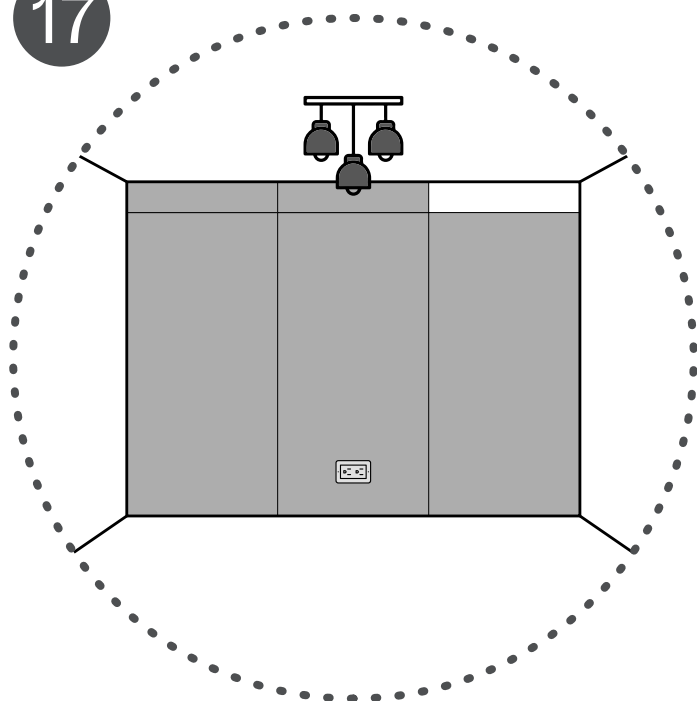
16

Illustration 16



17

Illustration 17



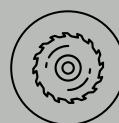
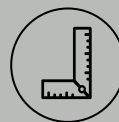
- 11. Once the cut has been made, install the piece by repeating Steps 3 and 4 (Illustration 14).

Tools

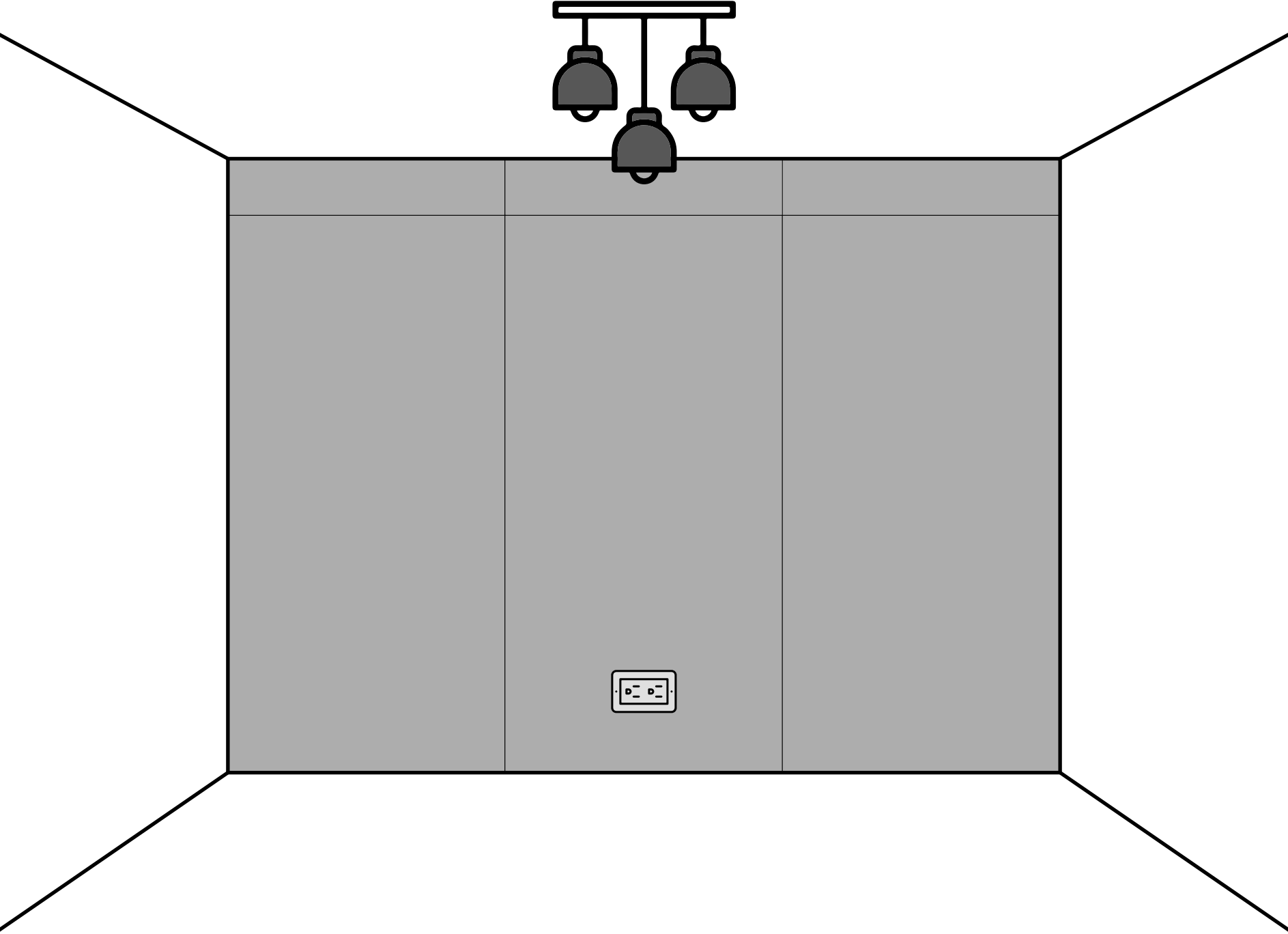


Once this is done, repeat the same process starting from Step 3 to continue installing the remaining pieces until the desired area is covered.

Tools



Decorate & enjoy your space...



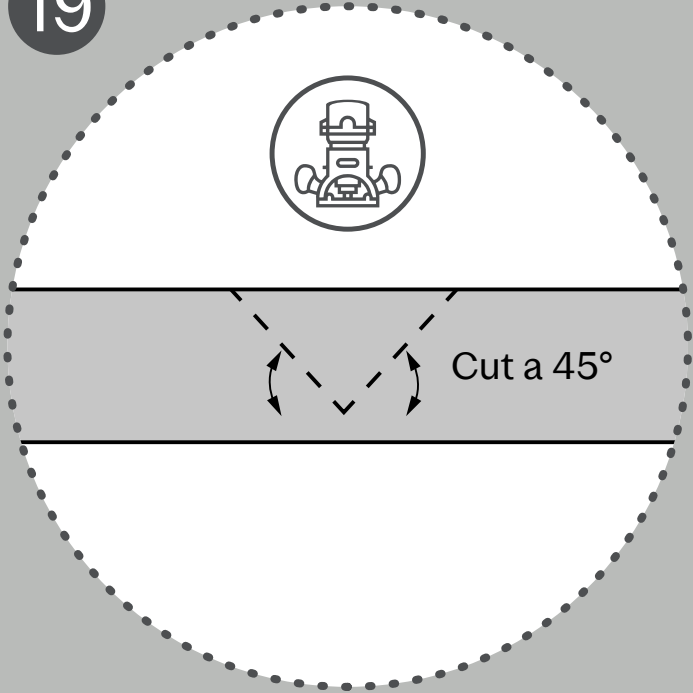
OPTIONAL MATERIAL HANDLING

45° CUT BEND

Premium Marble Board
Premium Metal Board
Premium Mirror Board

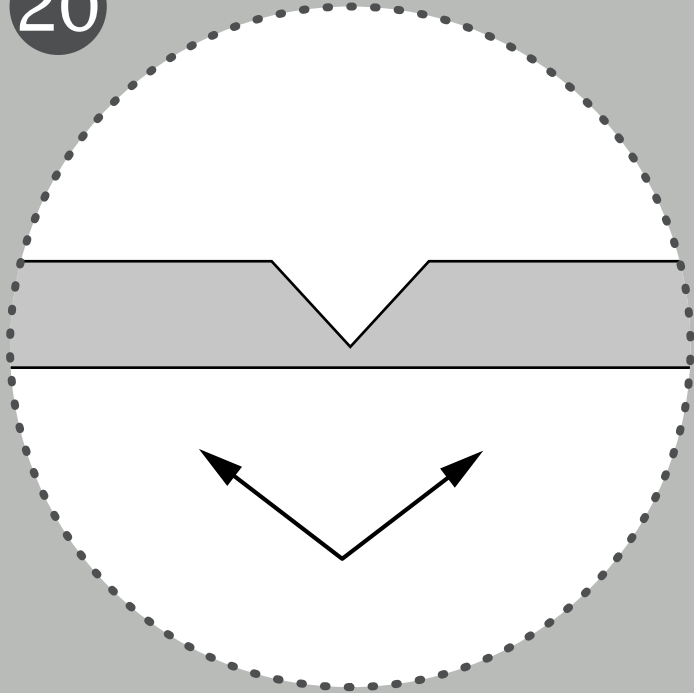
19

Illustration 19



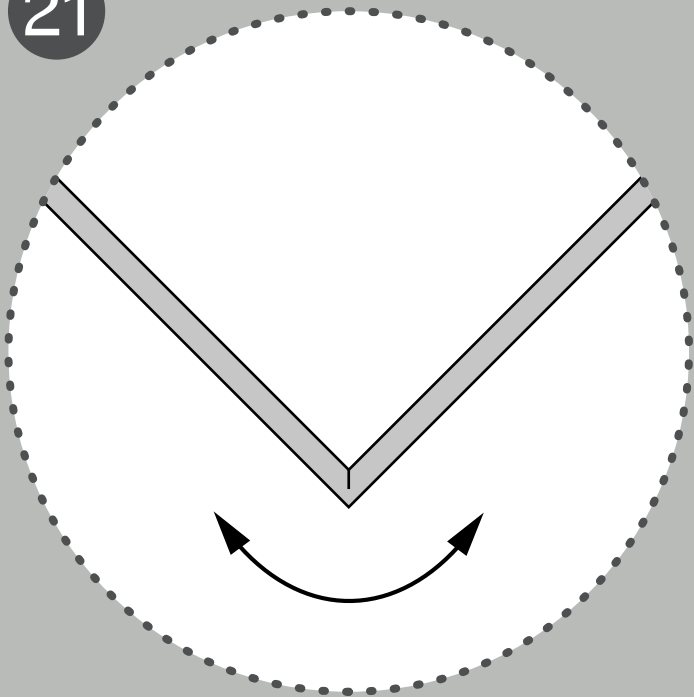
20

Illustration 20



21

Illustration 21



Tools

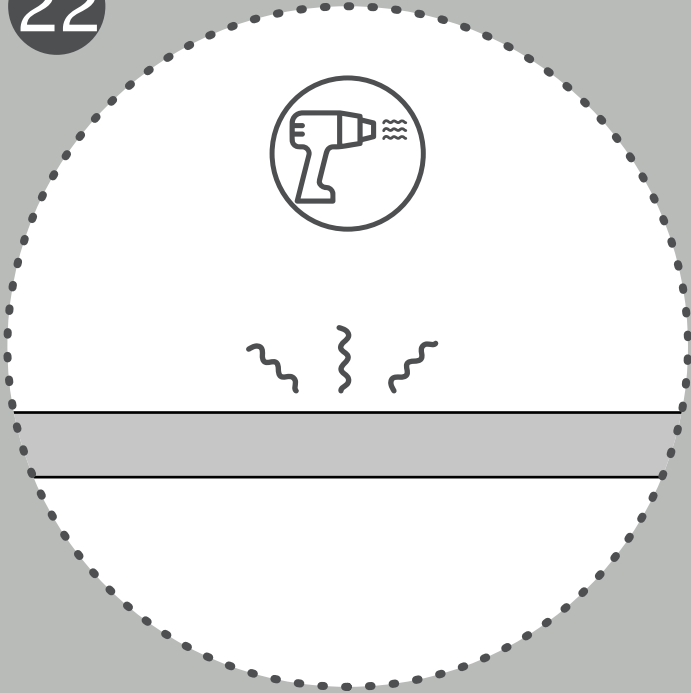


OPTIONAL MATERIAL HANDLING HEAT BENDING

Premium Marble Board
Premium Metal Board
Premium Mirror Board

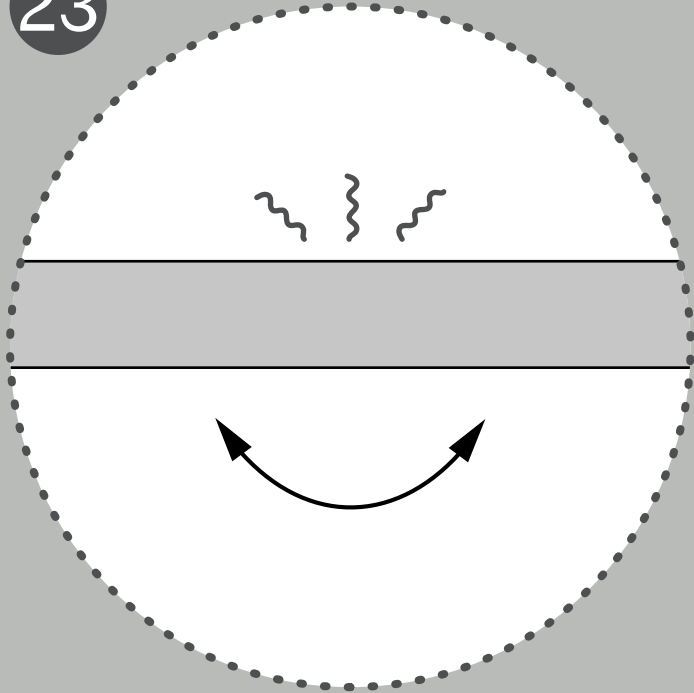
22

Illustration 22



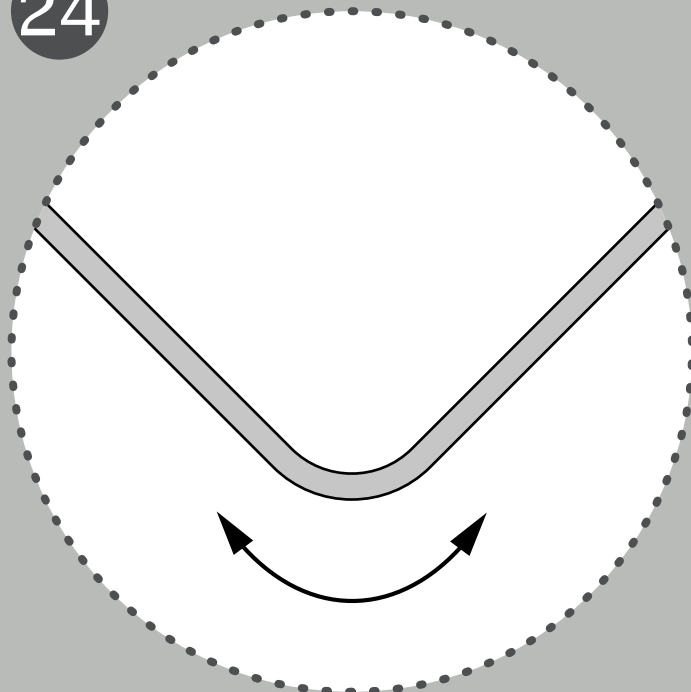
23

Illustration 23

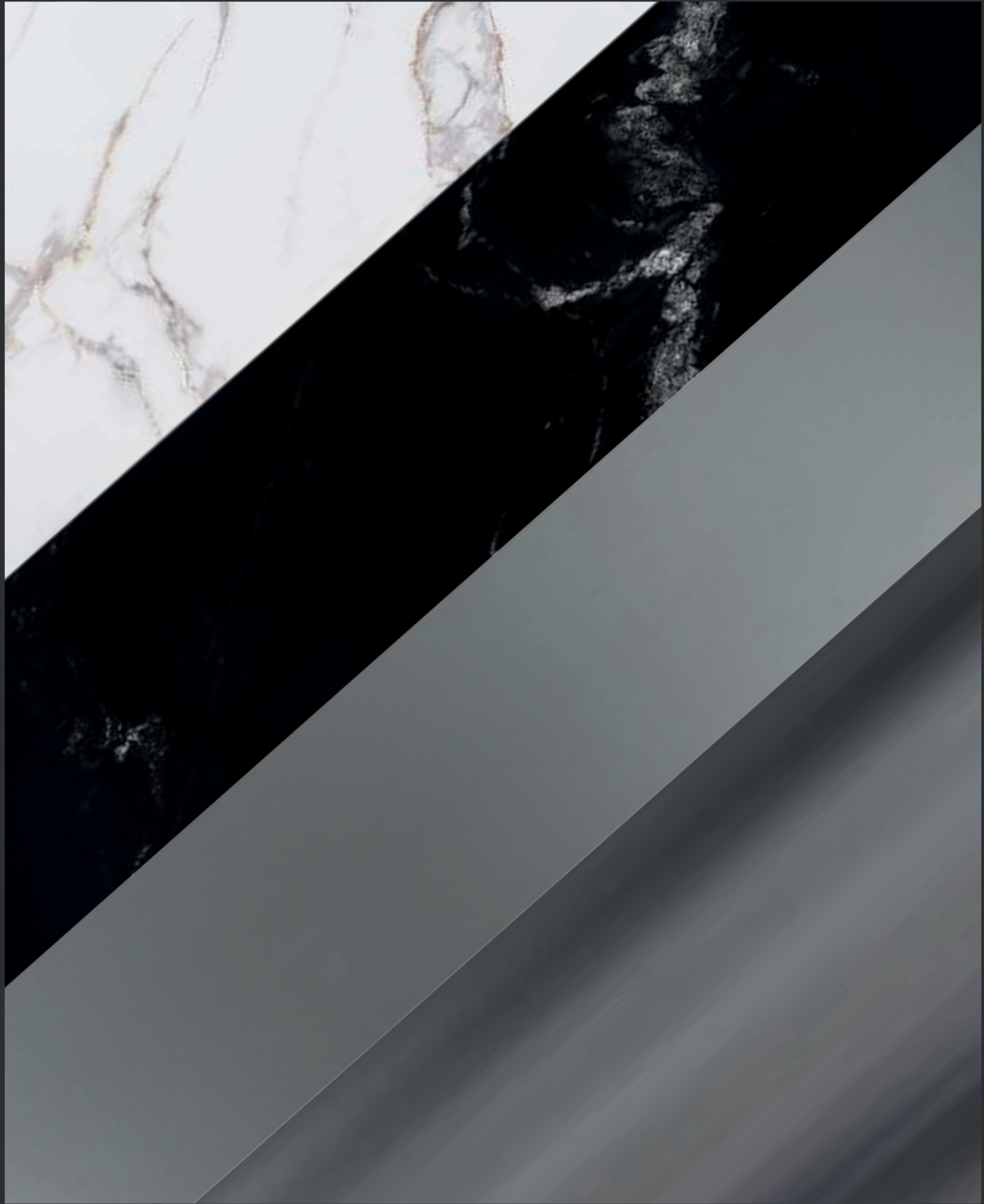


24

Illustration 24



- Tools
- -
 -
 -
 -



SARO  TECH